
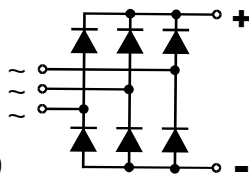


S3PDB35

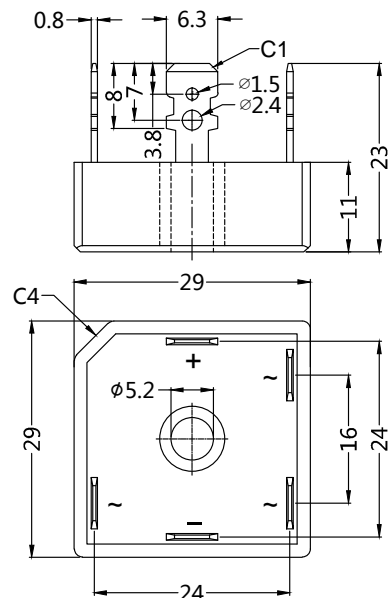
Three Phase Bridge Rectifiers



 E310749



Dimensions(mm)



Type	V _{RSM} V	V _{RRM} V
S3PDB3501	200	100
S3PDB3502	300	200
S3PDB3504	500	400
S3PDB3506	700	600
S3PDB3508	900	800
S3PDB3510	1100	1000
S3PDB3512	1300	1200
S3PDB3516	1700	1600
S3PDB3518	1900	1800



Maximum Ratings

Symbol	Test Conditions	Maximum Ratings	Unit
I _{dav}	T _C =60°C	35	A
I _{FSM}	T _{VJ} =25°C V _R =0 t=10ms (50Hz), sine t=8.3ms (60Hz), sine	450 500	A
I ² _t	T _{VJ} =25°C V _R =0 t=10ms (50Hz), sine t=8.3ms (60Hz), sine	1000 1200	A ² s
T _{VJ}		-40...+150	°C
T _{VJM}		150	
T _{stg}		-40...+125	
V _{ISO L}	50/60Hz, RMS I _{ISO L} ≤ 1mA t=1min t=1s	2500 3000	V~
M _d	Mounting torque (M4)	1.5-2 14-18	Nm lb.in.
Weight	typ.	18	g

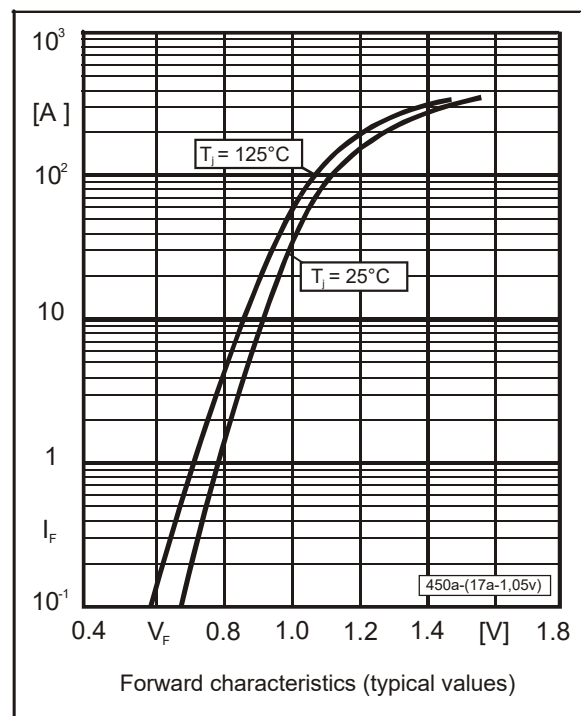
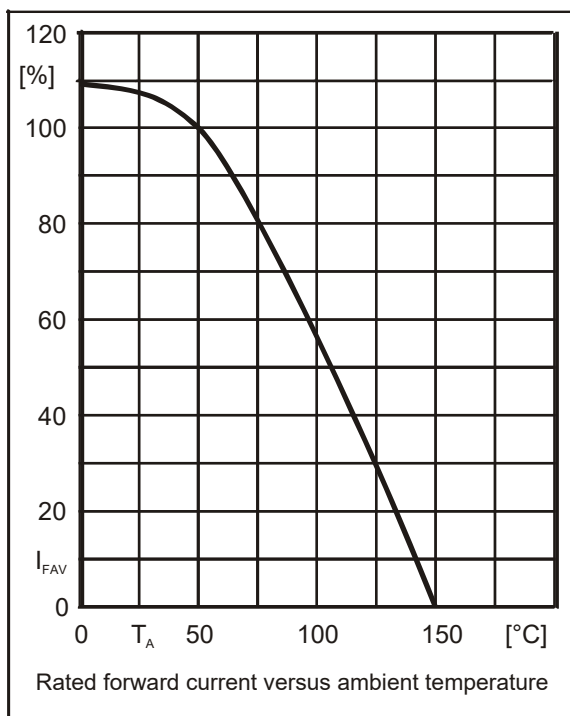
Sirectifier®

S3PDB35

Three Phase Bridge Rectifiers

Characteristics

Max. current with cooling fin 300 cm ²	T _A = 60°C R-load	IFAV	35 A
Forward voltage	T _j = 25°C I _F = 35 A	V _F	< 1.05 V
Leakage current	T _j = 25°C V _R = V _{RRM}	I _R	< 10 μA
Thermal resistance junction to case		R _{thJC}	< 1.8 K/W



FEATURES

- Rating to 1800V PRV
- Avalanche Diode chips inside
- High efficiency
- Glass passivated chip junction
- Electrically isolated metal case for maximum heat dissipation
- UL File NO.E310749
- ROHS Compliant

MECHANICAL DATA

- Case: Molded plastic with Heatsink internally mounted in the bridge encapsulation
- Polarity: As marked on Body
- Mounting: Hole for # 10 screw
- Weight: 0.63 ounces, 18.0 grams