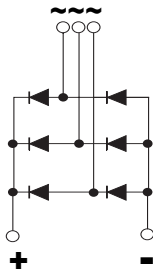


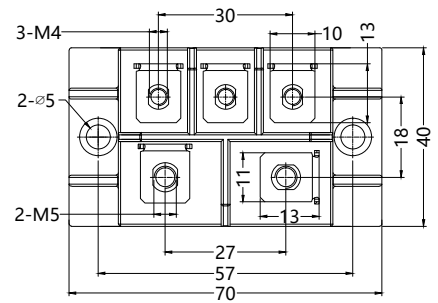
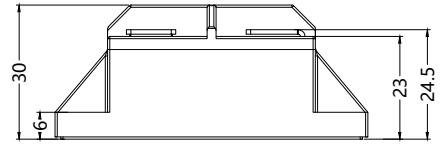
# B6U61A16

## Three Phase Rectifier Modules



Type	V <sub>RSM</sub> V	V <sub>RSM</sub> V
B6U61A08	900	800
B6U61A12	1300	1200
B6U61A14	1500	1400
B6U61A16	1700	1600
B6U61A18	1900	1800

### Dimensions in mm (1mm=0.0394")



Symbol	Test Conditions	Maximum Ratings	Unit	
I <sub>dav</sub>	T <sub>C</sub> =100°C, module	60	A	
I <sub>dav</sub>	T <sub>A</sub> =45°C (R <sub>thCA</sub> =0.6K/W), module	48		
I <sub>FSM</sub>	T <sub>VJ</sub> =45°C V <sub>R</sub> =0	t=10ms (50Hz), sine t=8.3ms (60Hz), sine	980 1070	A
	T <sub>VJ</sub> =T <sub>VJM</sub> V <sub>R</sub> =0	t=10ms(50Hz), sine t=8.3ms(60Hz), sine	880 970	
P <sub>RSM</sub>	Per diode chip, T <sub>VJ</sub> =25°C, t <sub>p</sub> = 10s	4.0	KW	
I <sup>2</sup> t	T <sub>VJ</sub> =45°C V <sub>R</sub> =0	t=10ms (50Hz), sine t=8.3ms (60Hz), sine	8100 8100	A <sup>2</sup> s
	T <sub>VJ</sub> =T <sub>VJM</sub> V <sub>R</sub> =0	t=10ms(50Hz), sine t=8.3ms(60Hz), sine	7220 7220	
T <sub>VJ</sub> T <sub>VJM</sub> T <sub>stg</sub>		-40...+150 150 -40...+150	°C	
V <sub>ISOL</sub>	50/60Hz, RMS I <sub>ISOL</sub> ≤1mA	t=1min t=1s	2500 3000	V~
M <sub>d</sub>	Mounting torque (M5) Terminal connection torque (M4 & M5)		5 ± 15% 5 ± 15%	Nm
Weight	typ.		150	g

**Sirectifier®**

# B6U61A16

## Three Phase Rectifier Modules

Symbol	Test Conditions	Characteristic Values	Unit
$I_R$	$V_R=V_{RRM}; T_{VJ}=25^{\circ}\text{C}$ $V_R=V_{RRM}; T_{VJ}=T_{VJM}$	$\leq 0.3$ $\leq 5$	mA
$V_F$	$I_F=60\text{A}; T_{VJ}=25^{\circ}\text{C}$	$\leq 1.25$	V
$V_{FO}$	For power-loss calculations only	0.85	V
$r_F$	$T_{VJ}=T_{VJM}$	8	m $\Omega$
$R_{thJC}$	per diode per module	1.44 0.24	K/W
$R_{thJK}$	per diode per module	1.86 0.31	K/W
$d_s$	Creeping distance on surface	10	mm
$d_A$	Creepage distance in air	9.4	mm
$a$	Max. allowable acceleration	50	m/s <sup>2</sup>

### FEATURES

- \* Package with screw terminals
- \* Isolation voltage 3000 V~
- \* Blocking voltage up to 1800 V
- \* Low forward voltage drop
- \* RoHs Compliant

### APPLICATIONS

- \* Supplies for DC power equipment
- \* Input rectifiers for PWM inverter
- \* Battery DC power supplies
- \* Field supply for DC motors

### ADVANTAGES

- \* Easy to mount with two screws
- \* Space and weight savings
- \* Improved temperature and power cycling

# B6U61A16

## Three Phase Rectifier Modules

