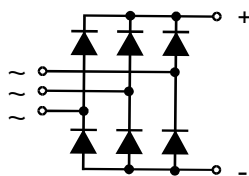


S3PDB5016

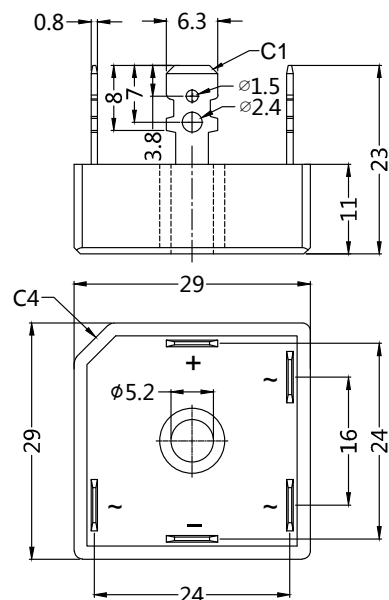
Three Phase Rectifier Module



E310749



Dimensions(mm)



Type	V _{RSM} V	V _{RRM} V
S3PDB5004	500	400
S3PDB5006	700	600
S3PDB5008	900	800
S3PDB5010	1100	1000
S3PDB5012	1300	1200
S3PDB5016	1700	1600
S3PDB5018	1900	1800



Maximum Ratings

Symbol	Test Conditions	Maximum Ratings	Unit
I _{dav}	TC=50°C	50	A
I _{FSM}	TVJ=25°C VR=0 t=10ms (50Hz), sine t=8.3ms (60Hz), sine	500 550	A
I ² t	TVJ=25°C VR=0 t=10ms (50Hz), sine t=8.3ms (60Hz), sine	1100 1210	A ² s
T _{VJ}		-40...+150	°C
T _{VJM}		150	
T _{stg}		-40...+125	
V _{ISOL}	50/60Hz, RMS I _{ISOL} ≤1mA t=1min t=1s	2500 3000	V~
Md	Mounting torque (M4)	1.5-2 14-18	Nm lb.in.
Weight	typ.	16	g

Characteristics

IFAV	Max. current with cooling fin 300 cm ²	TA = 50°C R-load	50	A
VF	Forward voltage	T _j = 25°C IF = 18 A	< 1.20	V
IR	Leakage current	T _j = 25°C VR = VRRM	< 10	μA
Rthjc	Thermal resistance junction to case		< 0.9	K/W

Sirectifier®

S3PDB5016

Three Phase Rectifier Module

FEATURES

- Rating to 1800V PRV
- High efficiency
- Glass passivated chip junction
- Electrically isolated metal case for maximum heat dissipation
- UL File NO.E310749
- ROHS Compliant

MECHANICAL DATA

- Case: Molded plastic with Heatsink internally mounted in the bridge encapsulation
- Polarity: As marked on Body
- Mounting: Hole for # 10 screw
- Weight: 0.63 ounces, 18.0 grams

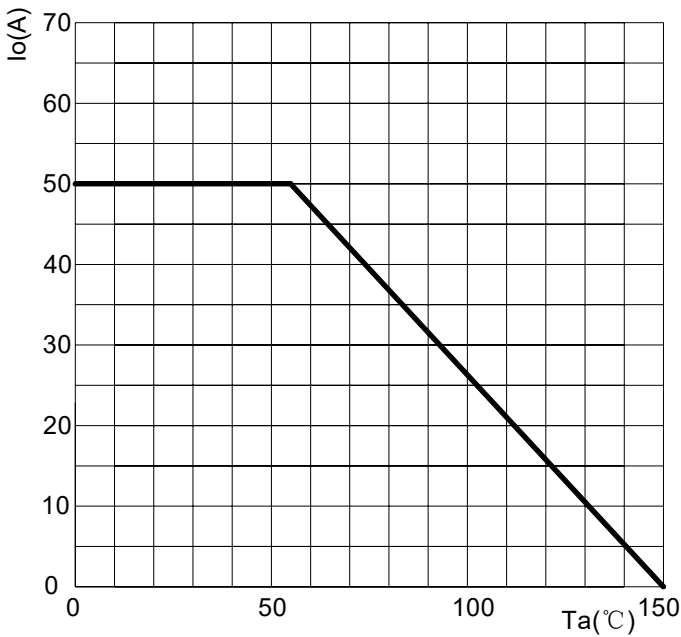


Fig.1: Rated forward current versus ambient temperature

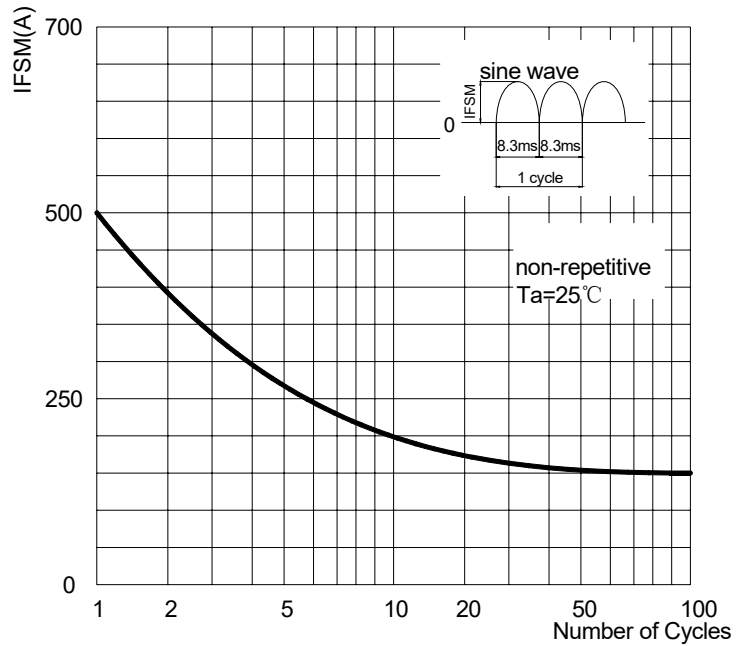


Fig.2: Surge Forward Current Capacity

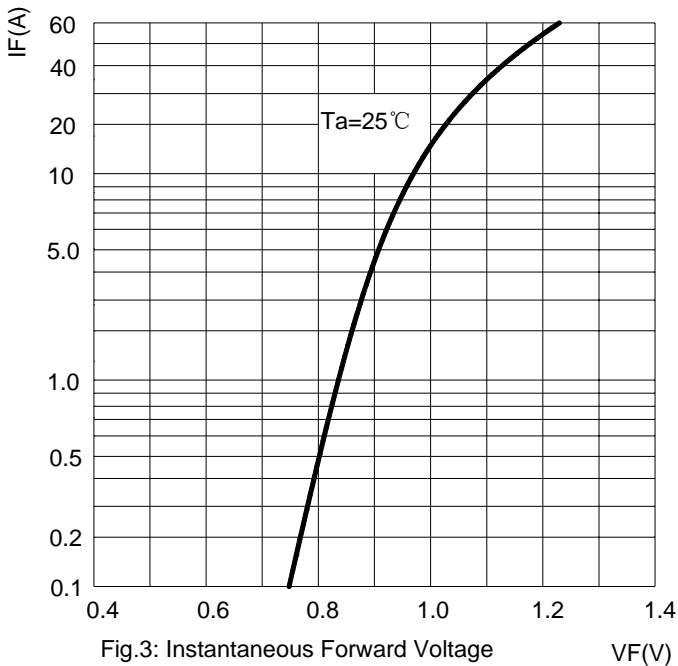


Fig.3: Instantaneous Forward Voltage

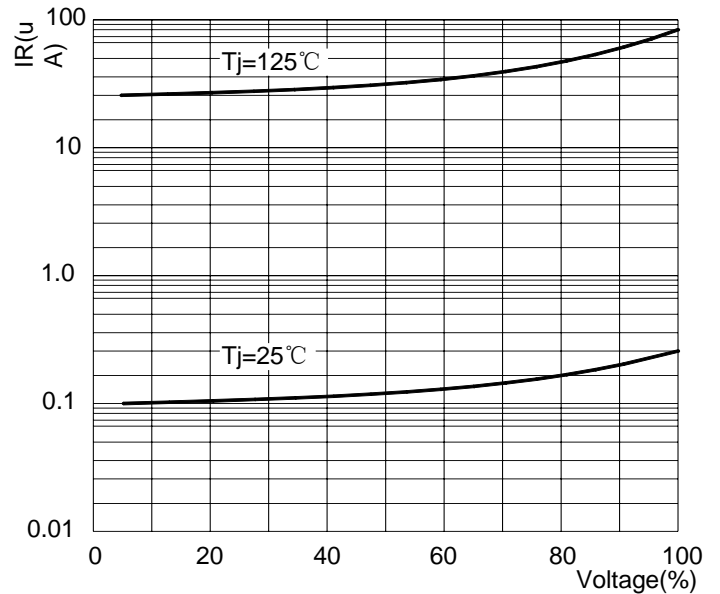


Fig.4: Typical Reverse Characteristics